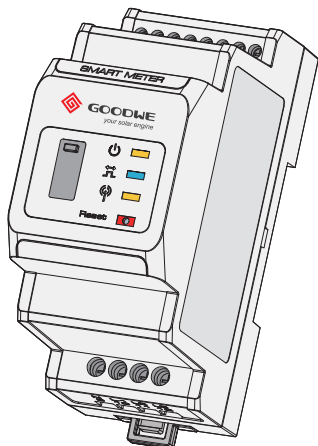


Smart Meter

USER MANUAL



Kun Lun Shan Road 189, Suzhou, Jiangsu, China 215000
 service@goodwe.com | www.goodwe.com

01 INTRODUCTION

GoodWe Smart Meter is designed with high precision small dimensions, convenient operation and installation. It is available for both single-phase and three-phase grid system connection to detect voltage, current, power and energy, for working with inverters including SEMS systems for the purpose energy management.

Any fault or damage caused by misoperation or disobeyal against the rules on manual is beyond GoodWe warranty cover range.

PACKING LIST

1* Smart Meter	1* CT (Current Transformer) ^[1]
1* Screw Driver	4* Cable Connection Terminals
1* USB Seal	1* RJ45-to-Pin Cable ^[2]

NOTE:

[1] A three-phase Meter will contain 3 CT clamps.

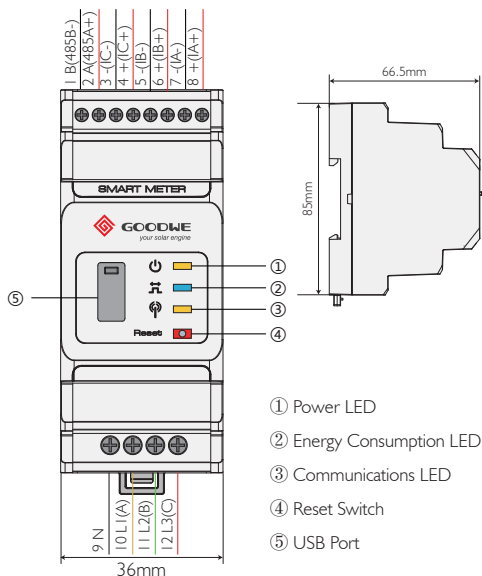
Specifications are subject to the physical product.

[2] Only suitable for RS485 cable connection on RJ45 port of GoodWe hybrid inverters.

01

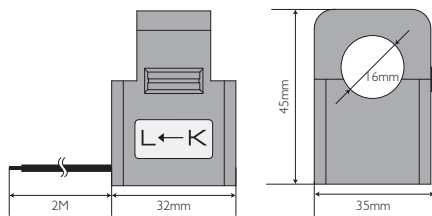
02 OVERVIEW

2.1 SMART METER OVERVIEW



- ① Power LED
- ② Energy Consumption LED
- ③ Communications LED
- ④ Reset Switch
- ⑤ USB Port

2.2 CT OVERVIEW



03 INSTALLATION INSTRUCTION

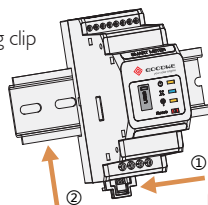
3.1 INSTALLATION ENVIRONMENT

Protection Class: IP20 (for indoor use)

Operating Temperature: -20~60 C

3.2 INSTALLATION (with DIN track)

- ① Pull to release the retaining clip
- ② Mount the Meter on the track and push the retaining clip up (a click sound indicates it is installed well)

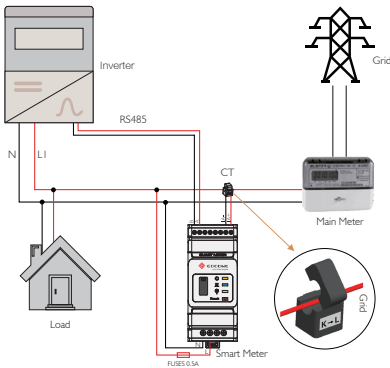


02

03

3.3 WIRING CONNECTION

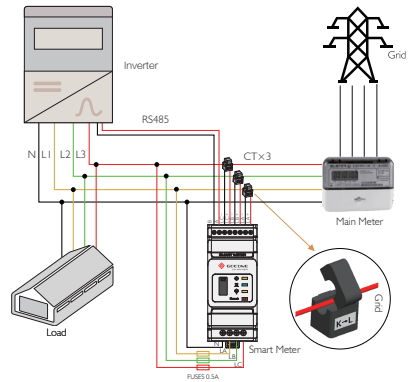
3.3.1 WIRING FOR SINGLE-PHASE METER



- Correct direction of CT: House (K)→Grid (L).
- ⚠ Incorrect connection or direction will cause incorrect data.

04

3.3.2 WIRING FOR THREE-PHASE METER



- Correct direction of CT: House (K)→Grid (L).
- Ensure CT and corresponding supply cable are connected to the same phase.
- ⚠ Incorrect connection or direction will cause incorrect data and may damage the meter.

05

04

ELECTRICAL DATA

MODEL	GM1000	GM3000	
APPLICATION	Single-phase	Three-phase	
Voltage	Nominal Voltage	230Vac	3L+N/400Vac
	Voltage Range	0.7~1.2Un	0.7~1.2Un
	Frequency	50Hz/60Hz	
Current Input	Nominal Current	CT in: 120A/40mA	
	Current Range	0.48A~120A	
Self-Consumption	3W max		
Data Detection	Voltage/Current/Active Power/Reactive Power/Power Factor/Frequency		
Energy Calculation	Active/Reactive Power Energy		
Precision	Voltage/Current	Class 1	
	Active Power	Class 1	
	Reactive Power	Class 2	
Comm.	With Inverter	RS485 (Bund Rate 9600 / ModBus Protocol / communication cable max. length 100m)	

06

05

INTERFACE

5.1 INDICATORS

- * **Power LED :**
Normal operation: ON
- * **Energy Consumption LED:**
Consuming: On
Generating: Blinking
- * **Communication LED:**
Transmitting data: Blinking
Resetting: Blink 5 times

5.2 RESET BUTTON

Press	Function
< 3s	Meter Reset
5s	Meter Settings Initialization
> 10s	Meter Initialize settings and clear energy data

5.3 USB PORT

For after-sales maintenance

07